

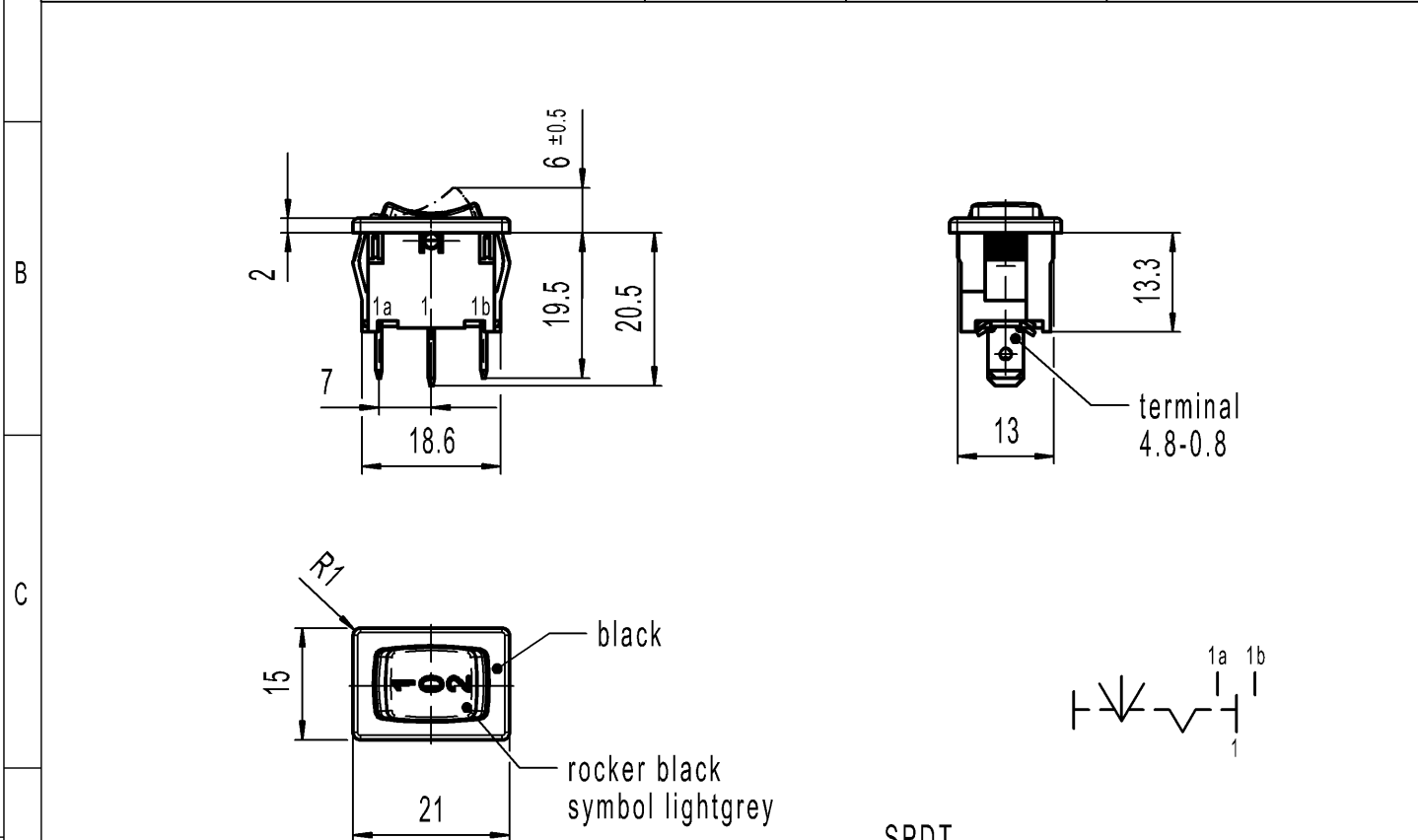
CONFIDENTIAL

VERTRAULICH

THIS DRAWING IS THE EXCLUSIVE PROPERTY OF MARQUARDT. WITHOUT THEIR CONSENT IT MAY NOT BE REPRODUCED OR GIVEN TO THIRD PARTIES.

Alle Rechte bei Marquardt, auch fuer den Fall von Schutzrechtsanmeldungen. Jede Veruegungsbefugnis, wie Kopier- und Weitergaberecht, bei uns.

A	recommended cut-out for snap-in fixing (edge opposite to snap-in direction)	1	2	3	4	
		0.75 to 1.25	1.25 to 2	2 to 3	length of cut-out	width of cut-out
		19.2-0.1	19.4-0.1	19.8-0.1		
		12.9+0.1	12.9+0.1	12.9+0.1		



SPDT  
With centre-off  
Suitable for appliances of class II  
G=matching IEC 60335-1:2001 clause 30

Marking  
 1808. μ  
 6(2)/250~T100/55

6A 125-250V AC  
 1/8HP  
 R58

Code of manufacture: place/year/week  
 On box: Customer Part No. see variant table  
 G

-	-	9000152634	1808.1112-XX
Figure	Type	Customer Part No.	Art.No.-PI
Shape and location	Angle ± 2 °	Sheet 01	Ident. K
	Edge tolerance	Format DIN A4	Document number 18081112
	0-6 ± 0.2	Projection	Index g
	>6-15 ± 0.4	Scale 1:1	Appliance Switch
>15-30 ± 0.4	All dimensions are in millimetres	System NX V1872	
±			Replacement of
±	Zg.gl.Nr.v.28.11.1996		
g	137894	2021-06-09	JOSHIO
f	98181	2015-10-28	MUT
e	64492	2009-10-20	MUT
d	47137	2006-04-12	vor
Index	MEC-No.	Date (YYYY-MM-DD)	Edited by

