

## Data sheet

256-753

**MODULAR PCB TERMINAL BLOCK 2 SOLDER PINS / POLE  
PIN SPACING 7.5/7.62 MM / 0.3 IN FRONT-ENTRY CAGE CLAMP CONNECTION**



## Technical data

Package size 400 4\*100 pieces.

Pin spacing from	7.5 mm
Pin spacing up to	7.62 mm
Pin spacing from	0.295 in
Pin spacing up to	0.3 in
pole count	1
Cross section from [mm <sup>2</sup> ]	0.08 mm <sup>2</sup>
Cross section to [mm <sup>2</sup> ]	2.5 mm <sup>2</sup>
Cross section from [AWG]	28 AWG
Cross section to [AWG]	12 AWG
Voltage UL	300 V
Voltage CSA	300/600 V
Current UL	15 A
Current CSA	15/5 A
Measured voltage EN	400 V
Measured shock voltage	6 kV
Pollution degree	3
Current intensity EN	16 A
Measured voltage EN	800 V
Measured shock voltage	6 kV
Pollution degree	2
Current intensity EN	16 A
Weight	1.15 g
Color	light grey

---

**Data sheet****256-753****MODULAR PCB TERMINAL BLOCK 2 SOLDER PINS / POLE  
PIN SPACING 7.5/7.62 MM / 0.3 IN FRONT-ENTRY CAGE CLAMP CONNECTION**

---

Wiring type	Angled Type
No. of connection Points	1
No. of potentials	1
Height	18.2 mm
Height	0.72 in
Width	7.5 mm
Width	0.295 in
Depth	17.6 mm
Depth	0.693 in
Strip length from	5 mm
Strip length to	6 mm
Strip length	0.22 in
xxx-xxx/332-000	with 5,5 mm long solder pins

---

**Data sheet**

256-753

**MODULAR PCB TERMINAL BLOCK 2 SOLDER PINS / POLE  
PIN SPACING 7.5/7.62 MM / 0.3 IN FRONT-ENTRY CAGE CLAMP CONNECTION**

---

<b>Approval</b>	<b>Voltage</b>	<b>Current</b>	<b>Approval number</b>	<b>Notes</b>
BBJ	400	16	B/12/697/03	
BV	800/400	16	11915/A0	
CCA	400	16	DK2082	
CSA	300/600	15/5	18677-45	
CSM	500/1000	16	017956	
DEMKO	400	16	98-04355	
DNV	800/400	16	E6998	
GL	800/400	16	17296-00HH	
KEMA	500		93.9001.01	
RMR	400	16	99.00007.250	
RosTesT	500/1000	16	B09523	
UL	300	15	E45172	

## Data sheet

256-753

### MODULAR PCB TERMINAL BLOCK 2 SOLDER PINS / POLE PIN SPACING 7.5/7.62 MM / 0.3 IN FRONT-ENTRY CAGE CLAMP CONNECTION

#### Accessories

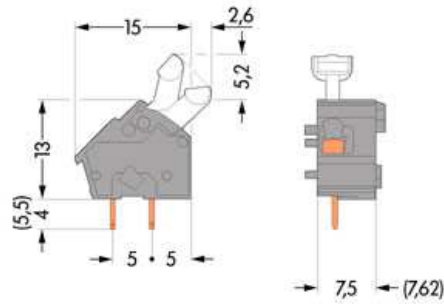
#### Item number

END PLATE SNAP FIT TYPE	256-300
Jumper GDS RM 5mm	Jumper PCB Spacing 5mm
Jumper GDS RM 7,5mm	Jumper PCB Spacing 7.5mm
Profile PCB 236, 255, 256	Profile PCB 236, 255, 256
Profile PCB 257, 736, 737, 738	Profile PCB 257, 736, 737, 738
SCREWDRIVER 3.5 X 0.5 MM / 0.137 X 0.019IN	210-257
SCREWDRIVER 3.5 X 0.5 MM / 0.137 X 0.019IN	210-258
SCREWDRIVER Type 2, bar (3,5 x 0,5) mm	210-120
SCREWDRIVER WITH PARTIALLY INSULATED SHAFT Type 2, bar (3,5 x 0,5) mm	210-620
SELF-ADHESIVE MARKER STRIPS SUITABLE FOR TERMINAL STRIPS WITH PIN SPACING 7.5MM	249-171
SELF-ADHESIVE MARKER STRIPS SUITABLE FOR TERMINAL STRIPS WITH PIN SPACING 7.5MM	249-170/236-704
SELF-ADHESIVE MARKER STRIPS SUITABLE FOR TERMINAL STRIPS WITH PIN SPACING 7.62 MM	249-173
SELF-ADHESIVE MARKER STRIPS SUITABLE FOR TERMINAL STRIPS WITH PIN SPACING 7.62 MM	249-172/236-708
TEST PLUG SUITABLE FOR PCB TERMINAL BLOCKS, SERIES 255, 256, 257	249-112
TEST PLUG SUITABLE FOR PCB TERMINAL BLOCKS, SERIES 255, 256, 257	249-113

Data sheet

256-753

**MODULAR PCB TERMINAL BLOCK 2 SOLDER PINS / POLE  
PIN SPACING 7.5/7.62 MM / 0.3 IN FRONT-ENTRY CAGE CLAMP CONNECTION**



---

Data sheet

256-753

**MODULAR PCB TERMINAL BLOCK 2 SOLDER PINS / POLE  
PIN SPACING 7.5/7.62 MM / 0.3 IN FRONT-ENTRY CAGE CLAMP CONNECTION**

---

Diameter of drilled hole: 1,1<sup>+0,1</sup> mm