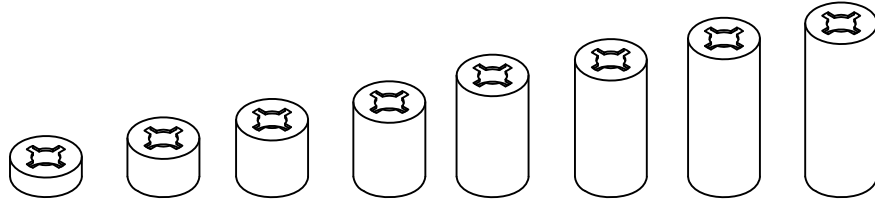
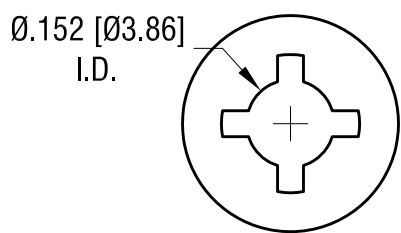
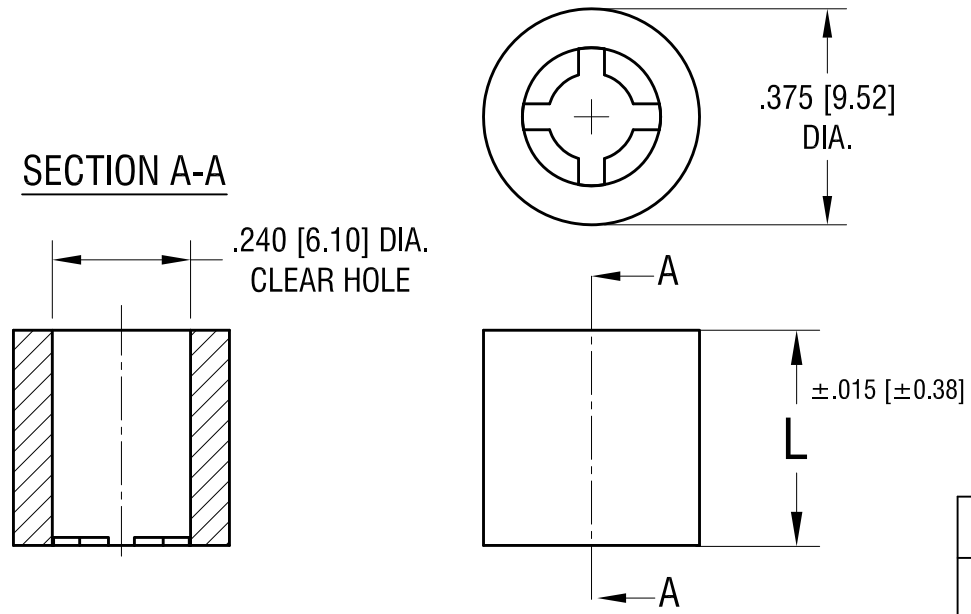


THIS DOCUMENT IS THE PROPERTY OF
KEYSTONE ELECTRONICS CORP. AND
SHALL NOT BE REPRODUCED, DISTRIBUTED
OR USED AS A BASIS FOR MANUFACTURE
WITHOUT PRIOR WRITTEN PERMISSION
FROM KEYSTONE ELECTRONICS CORP.



SECTION A-A



PART NO.	'L' DIM.
2381	.125 [3.17]
2382	.250 [6.35]
2383	.375 [9.52]
2384	.500 [12.70]
2385	.625 [15.87]
2386	.750 [19.04]
2387	.875 [22.21]
2388	1.00 [25.40]

KEYSTONE ELECTRONICS CORP.
www.keyelco.com • ASTORIA, N.Y. 11105-2017 • Tel (718) 956-8900

PART NAME: #8 RETAINING SPACER

MATERIAL: NYLON 6/6

FINISH: -	DRN BY: NT	DATE: 3.15.11
	APP'D: LN	SCALE: 3X

TOLERANCES: INCH [MM]
DECIMAL: ±.005 [±0.13]
ANGULAR: ± 1°
UNLESS OTHERWISE SPECIFIED

CODE: C/M

DWG NO. 2381-2388

DATE	DESCRIPTION	REV.