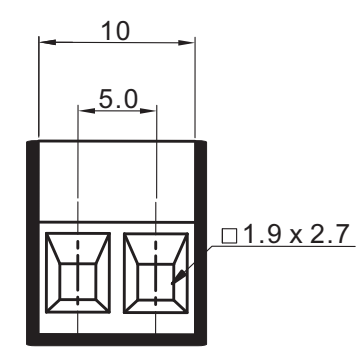
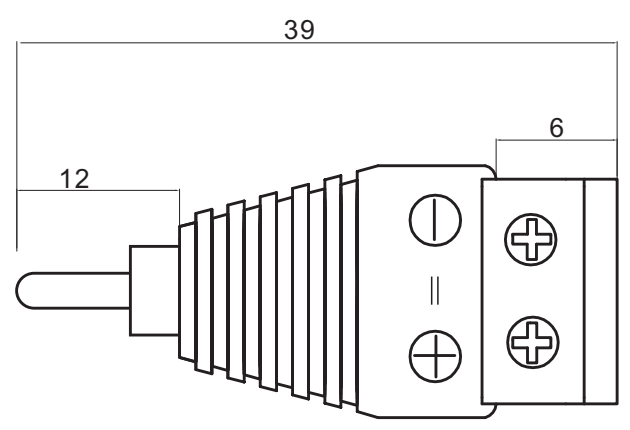
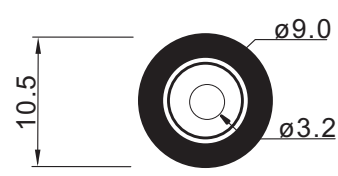


SIGN	DESCRIPTION	DATE	APPROVER
△	---		
△			



Technical Data:

Electrical:

- Voltage rating: 12VDC
- Current rating: 5A
- Contact resistance: 20m Ω
- Insulation resistance: 5000M Ω / 1000V
- Wire range: 26-12AWG

Mechanical:

- Torque: 0.5Nm (4.4lb/in)
- Operating temperature: -40°C to 105°C
- Strip length: 7mm

TOLERANCE	APPROVED: RIKKI	NAME:
X ± 0.50	CHECKED: CAMILY	3.2mm RCA Plug Adapter
X.X ± 0.30	DRAWN: SHERMAN	
X.XX ± 0.20	UNIT: mm	REV.: A
X° $\pm 1^\circ$	SCALE: 4/1	PAGE: 1/1
		PART NO: LT-RAC-DC
		DWG NO.: