



SPECIFICATIONS SHEET

PRODUCT TYPE : PIEZO BUZZER

PRODUCT SERIES : DB-E328C

DESCRIPTION : PZ BUZZER SINGLE 12VDC PIN PPO RoHS SP
MUST FOLLOW POLARITY INSTRUCTION

COLOR : BLACK

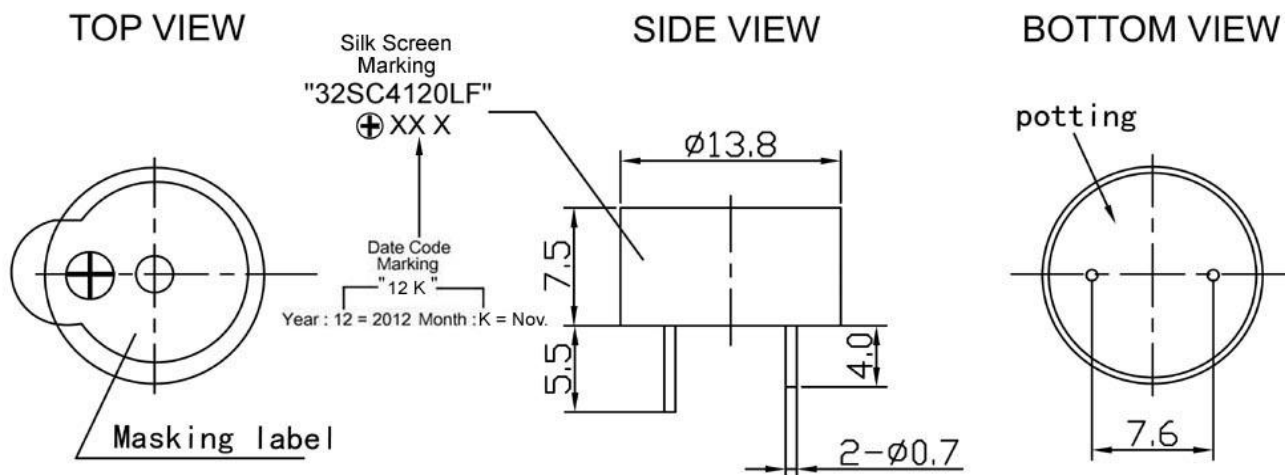
ELECTRICAL SPECIFICATIONS

MODEL NO.		32SC4120LFPP
OPERATING VOLTAGE RANGE	(VDC)	3.0 ~ 16.0
RATED VOLTAGE	(VDC)	5.0 / 12.0
* MAX. RATED CURRENT	(mA)	12.0
* MIN. SOUND OUTPUT AT 5VDC	(dBA/ 10 cm)	80.0
* MIN. SOUND OUTPUT AT 12VDC	(dBA/ 10 cm)	90.0
* FREQUENCY	(Hz)	4000 ± 500
TONE NATURE		SINGLE
OPERATING TEMPERATURE	(°C)	- 40.0 ~ + 85.0
STORAGE TEMPERATURE	(°C)	- 40.0 ~ + 85.0
TERMINAL		PIN
HOUSING MATERIAL		PPO
WEIGHT	(g)	0.8

* Value applying at rated voltage

DIMENSIONS

UNIT : mm



Approved By :

Date : 3-May-2013

Fan

Prepared By :

Date : 3-May-2013

Jy

Modify :	Date :	By :
Operating and Storage Temp. Change to - 40 ~ + 85 °C	03-May-13	Joey