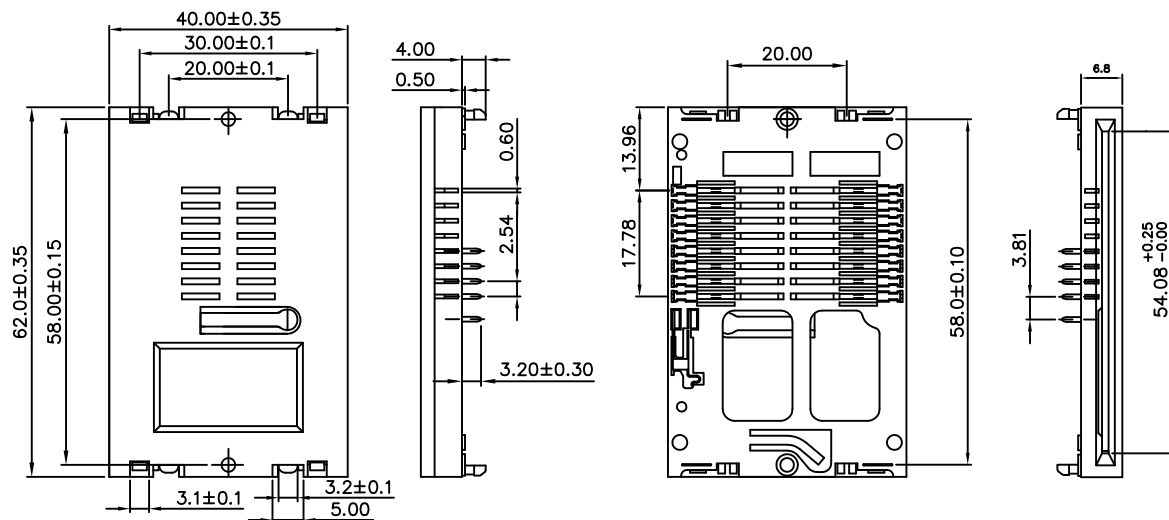


RECOMMENDED P.C.B LAYOUT



Material and Finish:

1. Insulator Material: P.B.T+30% Glass Fiber
UL94V-0, Color: Black
2. Contact Material: Phosphor Bronze
3. Contact Plated: Selective Gold Plated.
4. Current Rating: 1AMP AC/DC
5. Insulation Resistance: 1000 Mohms Min.
6. Contact Resistance: 100 mohms Max.
7. Dielectric Withstanding Voltage: 500V AC/minute.
8. Operating Temperature: -40°C to +60°C
9. Card Insertion Force: 1kg MAX.
10. Card Separation Force: 102g MIN.
11. Contact Retention Force: 100g MIN. PER PIN
12. Mating Cycles: 100,000 Cycles MIN.
13. RO = RoHS

PRODUCT NUMBER:

116B-D X X A-R
1 2 3 4 5

1. Type
D: Through hole type
2. Contact Plating
A: 30u" gold plating
B: 15u" gold plating
C: gold flash
3. Card Detector
O: normal open
C: normal close
4. Port
A: Single port
5. RoHS

UNLESS OTHERWISE SPECIFIED TOLERANCE		
ANGLES	ANG.	±5°
LINEAR	0.	±0.3
	0.0	±0.25
	0.00	±0.20
SCALE	AS SHOWN	UNIT: mm
DRAWN	Willis	2012/08/03
CHECKED	Angel	2012/08/03
APPROVED	Ken	2012/08/03



www.attend.com.tw

DRAWN NAME:
Smart Card Socket With Switch

PRODUCT NO. 116B-D X X A-R

FILE NAME 116B-DXXA-R_B_3

REV.	DESCRIPTION	DATE	REV.	DESCRIPTION	DATE
1			4		
2			5		
3			6		



SIZE A4

REV. 1.0