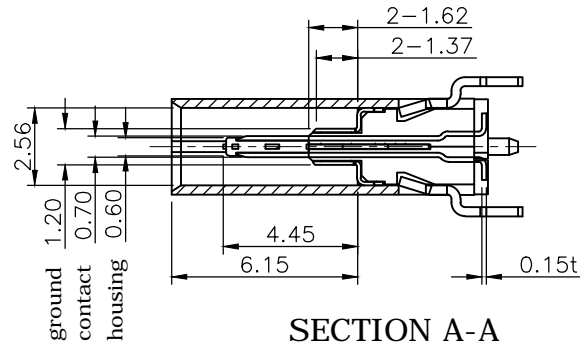
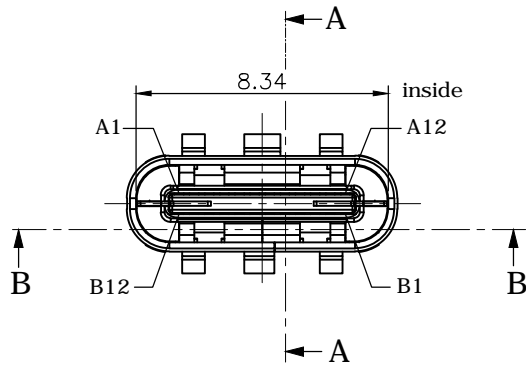
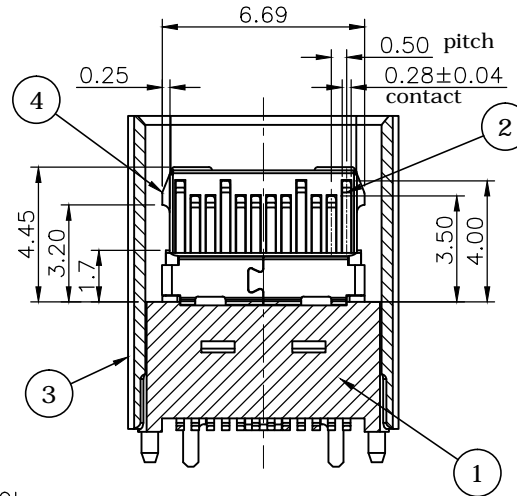
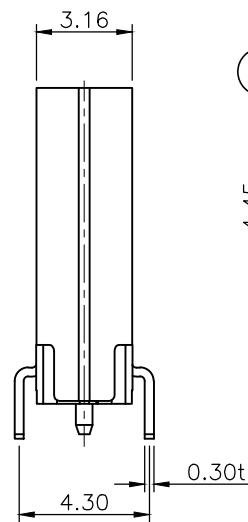
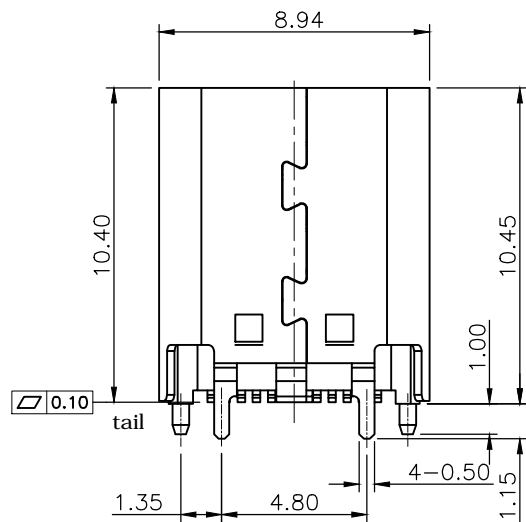


REV.	DESCRIPTION	DRAWN	DATE
1	INITIAL RELEASE	FROS	2016/07/20



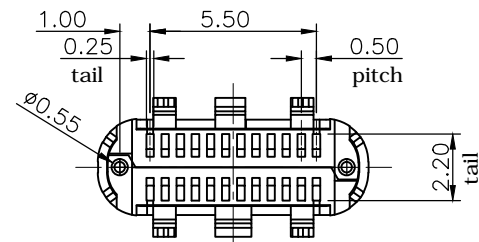
**SECTION A-A**




**SECTION B-B**

**SPECIFICATION:**

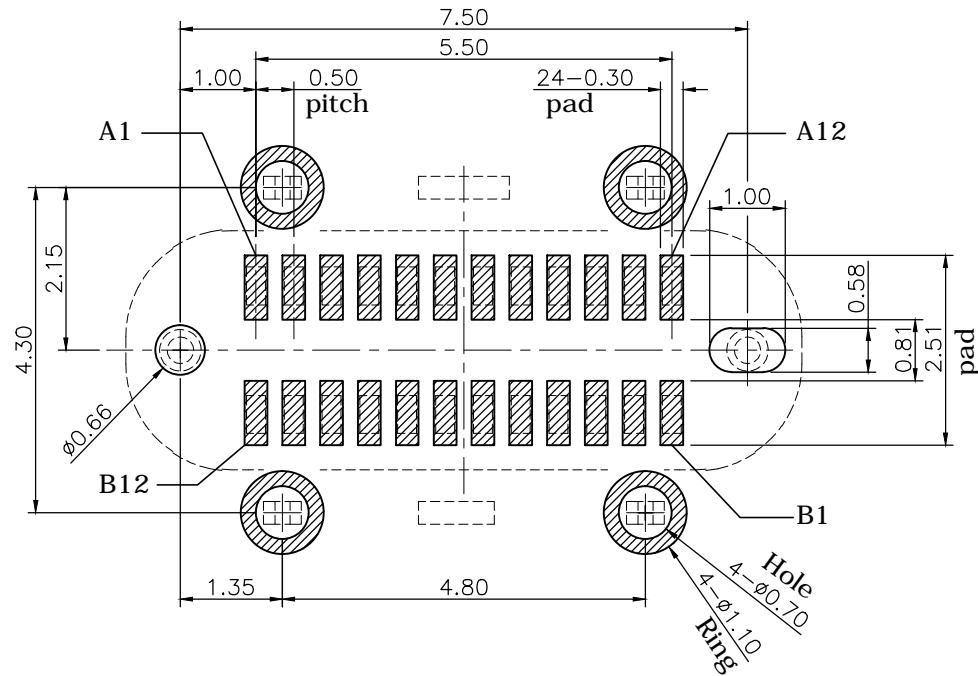
1. ELECTRICAL
  - 1.1 Current Rating:
    - 5A for Vbus;
    - 1.25A for Vconn & GND;
    - 0.25A for other pin
  - 1.2 Voltage Rating: 5VAC max
  - 1.3 Contact Resistance: 40mΩ
  - 1.4 Insulation Resistance: 100MΩ
  - 1.5 Dielectric Withstanding Voltage: 100VAC
2. MECHANICAL
  - 2.1 Durability: 10,000 cycles
  - 2.2 Insertion Force: 5 to 20N
  - 2.3 Extraction Force: 8 to 20N
3. ENVIRONMENTAL
  - 3.1 Operating temperature range: -55°C~+85°C
  - 3.2 Storage temperature range: -55°C~+85°C



4	SHIELD	SUS304-H 0.12T
3	SHELL	SUS304-H 0.3T, 50u" Nickel
2	CONTACT	Phosphor Bronze, Gold plating on contact area Tin plating on solder tail, under plated Nickel
1	HOUSING	LCP, UL94V-0

NO.		PART NAME		DESCRIPTION	
UNLESS OTHERWISE SPECIFIED TOLERANCE					
UNIT:	DECIMAL	LINEAR	ANGLES		 WWW.ATTEND.COM.TW
	mm	X.	±0.50	±5°	
		X.X	±0.25	±3°	
		X.XX	±0.12	±1°	
DRAWN	Fros	2016/07/20	DRAWN NAME:		
CHECKED	Tim	2016/07/20	USB Type C Straight Receptacle T/H w/SMD Type, 30u", Reel		
APPROVED	Ken	2016/07/20	PRODUCT NO.	217D-AG01	
SCALE		SHEET	SIZE	FILE NAME	
4/1		1/3	A4	217D-AG01_B_1	

REV.	DESCRIPTION	DRAWN	DATE
	see sheet one		



**RECOMMENDED LAYOUT ( TOP VIEW )**  
**GENERAL TOLERANCE: ±0.05mm**

 PAD

 Connector

**PIN ASSIGNMENTS:**

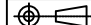
PIN NUMBER	SIGNAL NAME	PIN NUMBER	SIGNAL NAME
A1	GND	B12	GND
A2	SSTXp1	B11	SSRXp1
A3	SSTXn1	B10	SSRXn1
A4	VBUS	B9	VBUS
A5	CC1	B8	SBU2
A6	Dp1	B7	Dn2
A7	Dn1	B6	Dp2
A8	SBU1	B5	CC2
A9	VBUS	B4	VBUS
A10	SSRXn2	B3	SSTXn2
A11	SSRXp2	B2	SSTXp2
A12	GND	B1	GND

UNLESS OTHERWISE SPECIFIED TOLERANCE

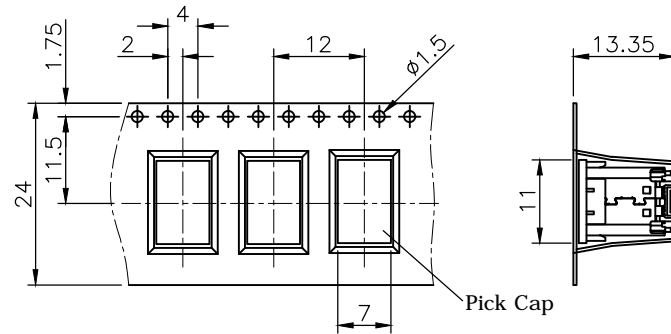
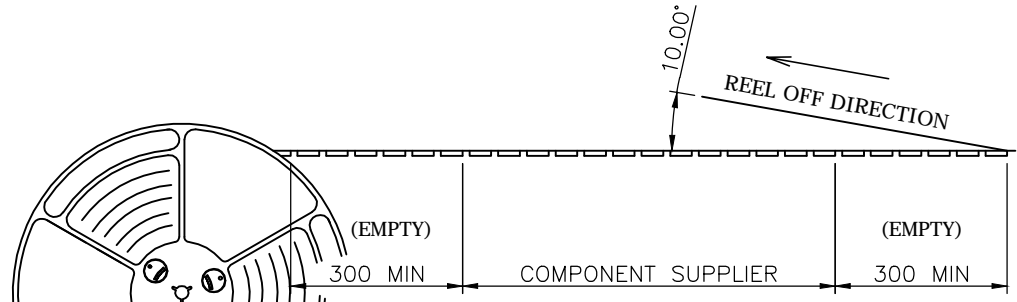
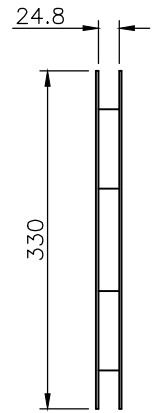
UNIT:	DECIMAL	LINEAR	ANGLES
mm	X.	±0.50	±5°
	X.X	±0.25	±3°
	X.XX	±0.12	±1°



WWW.ATTEND.COM.TW

DRAWN	Fros	2016/07/20	DRAWN NAME:
CHECKED	Tim	2016/07/20	USB Type C Straight Receptacle T/H w/SMD Type, 30u", Reel
APPROVED	Ken	2016/07/20	PRODUCT NO. 217D-AG01
	SCALE 10/1	SHEET 2/3	SIZE A4
FILE NAME		217D-AG01_B_1	

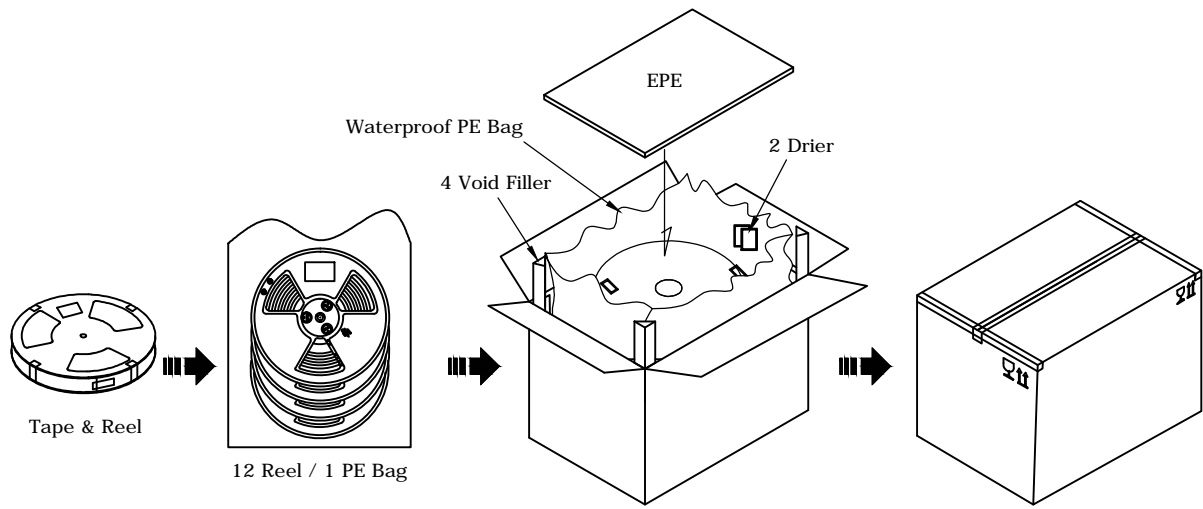
REV.	DESCRIPTION	DRAWN	DATE
	see sheet one		



PULL OUT DIRECTION →

### PACKAGING SPECIFICATION:

1. MATERIAL
  - 1.1 Embossed Carrier Tape: PS Black
  - 1.2 Top Cover Tape: PET 10-130g (Peel Speed 300mm/Minute)
  - 1.3 Taping Reel: Plastic
2. PACKING
  - 2.1 Quantity:
    - 400Piece/Reel
    - 12Reel/ Carton
    - 4,800Piece/Outer Carton



UNLESS OTHERWISE SPECIFIED TOLERANCE			
UNIT:	DECIMAL	LINEAR	ANGLES
mm	X.	±0.50	±5°
	X.X	±0.25	±3°
	X.XX	±0.12	±1°



WWW.ATTEND.COM.TW

DRAWN	Fros	2016/07/20	DRAWN NAME:
CHECKED	Tim	2016/07/20	USB Type C Straight Receptacle T/H w/SMD Type, 30u", Reel
APPROVED	Ken	2016/07/20	PRODUCT NO. 217D-AG01
SCALE	N/A	SHEET 3/3	SIZE A4
FILE NAME		217D-AG01_B_1	