

Linear Choke, high design



Description

- Linear choke
- THT-terminals
- Inductor vertically positioned in housing

Standards

- EN 60938

Applications

- Smoothing RFI suppression choke
- RFI suppression choke
- Chopper amplifiers
- DC drives and stepper motor controls
- Switching power supplies

Weblinks

[pdf datasheet](#), [html-datasheet](#), [General Product Information](#), [Approvals](#), [CE declaration of conformity](#), [RoHS](#), [CHINA-RoHS](#), [REACH](#), [Distributor-Stock-Check](#), [Detailed request for product](#)

Technical Data

Rated voltage	up to 600 VDC
Rated Current	0.45 - 7 A @ Ta 70 °C
Rated inductance	0.02 - 5.5 mH, Tol. ±15%
Power Operating Frequency	up to 20kHz
Terminal Type	THT
Weight	4 - 38g
Material: Housing	UL 94V-0
Sealing Compound	UL 94V-0

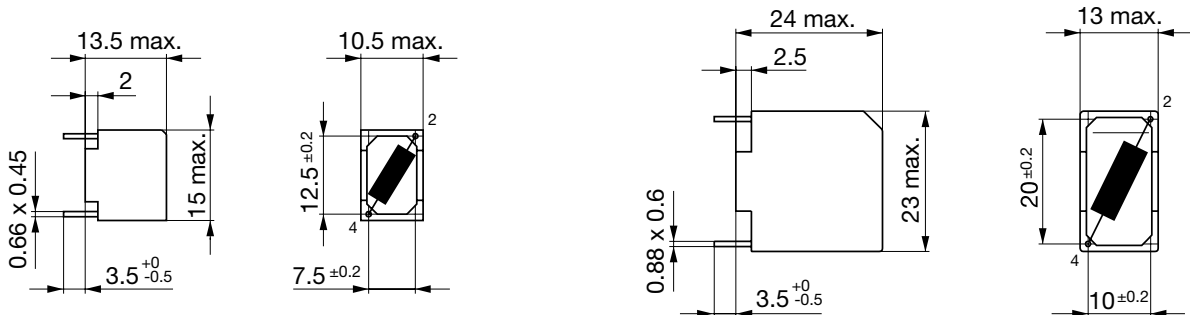
Isolation Voltage	2 kV eff., winding to ambient
Climatic Category	40/125/21 acc. to IEC 60068-1
Allowable Operation Temp.	-40 °C to 125 °C

Detailed information on product approvals, code requirements, usage instructions and detailed test conditions can be looked up in [General Product Information](#)

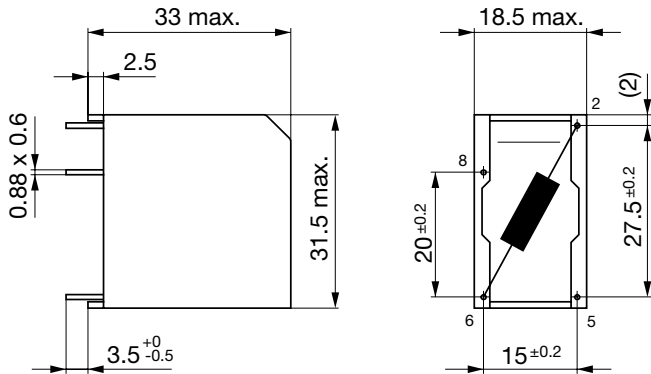
Dimension

Case 01-1

Case 09-1

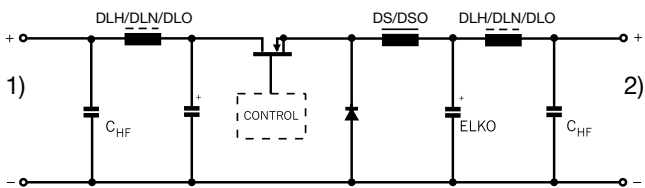


Case 19-1



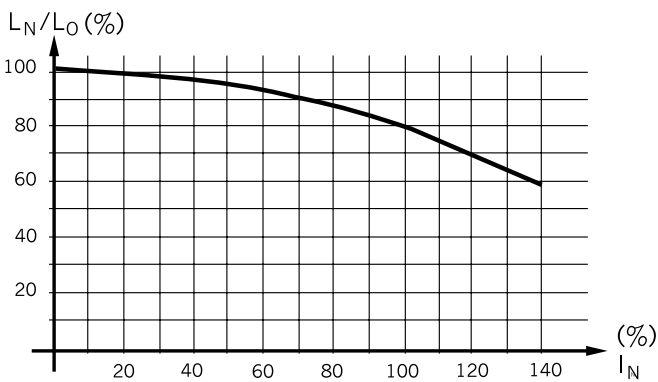
Diagrams

Application in DC-DC Converter



- 1) DC-Input unregulated
- 2) DC-Output regulated

Derating Curves



Inductance variation as function of the magnetizing current

All Variants

I_n [A]	L_n [mH]	R_{cu} [mΩ]	f_{RES} [MHz]	Weight [g]	Housings	Packing unit [pcs.]	Order Number
0.6	0.5	750	1.6	4 g	01-1	100	DLH-14-0001
1	0.2	220	6	4 g	01-1	100	DLH-14-0002
2	0.05	50	9	4 g	01-1	100	DLH-14-0003
0.45	5	2600	0.2	14 g	09-1	50	DLH-22-0001
0.6	3	1550	0.3	14 g	09-1	50	DLH-22-0002
1	0.5	0.3	1	14 g	09-1	50	DLH-22-0003
1.5	0.5	280	1	14 g	09-1	50	DLH-22-0004
1.8	0.3	180	1.5	14 g	09-1	50	DLH-22-0005
3	0.1	70	4	14 g	09-1	50	DLH-22-0006
4.5	0.05	30	6	14 g	09-1	50	DLH-22-0007
7	0.02	12	15	14 g	09-1	50	DLH-22-0008
0.6	5.5	3600	0.2	38 g	19-1	70	DLH-31-0001
1	2.0	70	4	38 g	19-1	70	DLH-31-0002
1.6	0.8	470	1.5	38 g	19-1	70	DLH-31-0003
2	0.5	300	2	38 g	19-1	70	DLH-31-0004
2.5	0.3	160	3	38 g	19-1	70	DLH-31-0005
3.15	0.2	109	5	38 g	19-1	70	DLH-31-0006
4	0.13	53	6	38 g	19-1	70	DLH-31-0007
6.3	0.05	23	9.5	38 g	19-1	70	DLH-31-0008

■ Most Popular.

Availability for all products can be searched real-time:<http://www.schurter.com/en/Stock-Check/Stock-Check-SCHURTER>