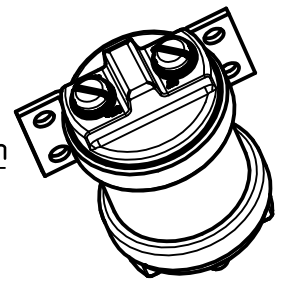
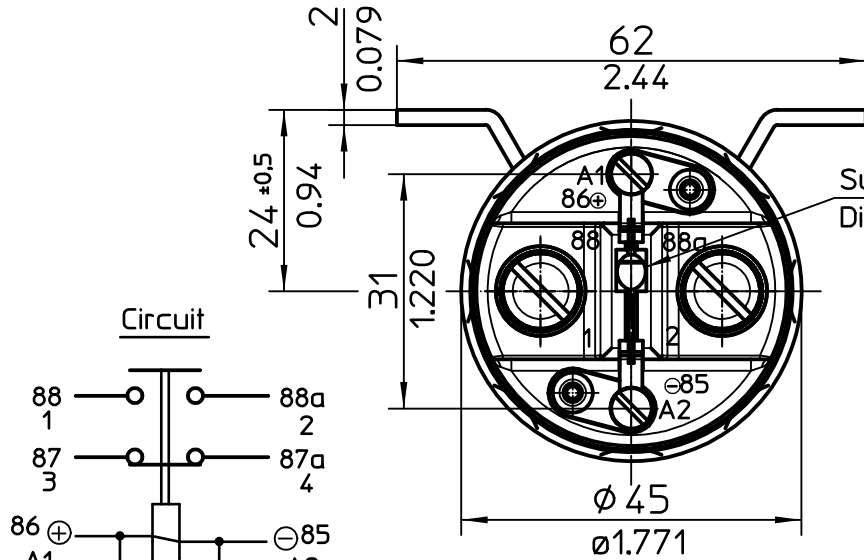
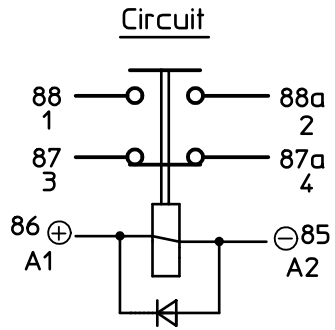


50AMP POWER RELAY (28VDC)

Make/Break Contact Standard Side Mounting Environmentally Sealed Suppression Diode



Maßstab 1:2



Main Terminals (NO)

ISO 1580-M5x8
max. Torque 3,2-3,5Nm

Lock Washer

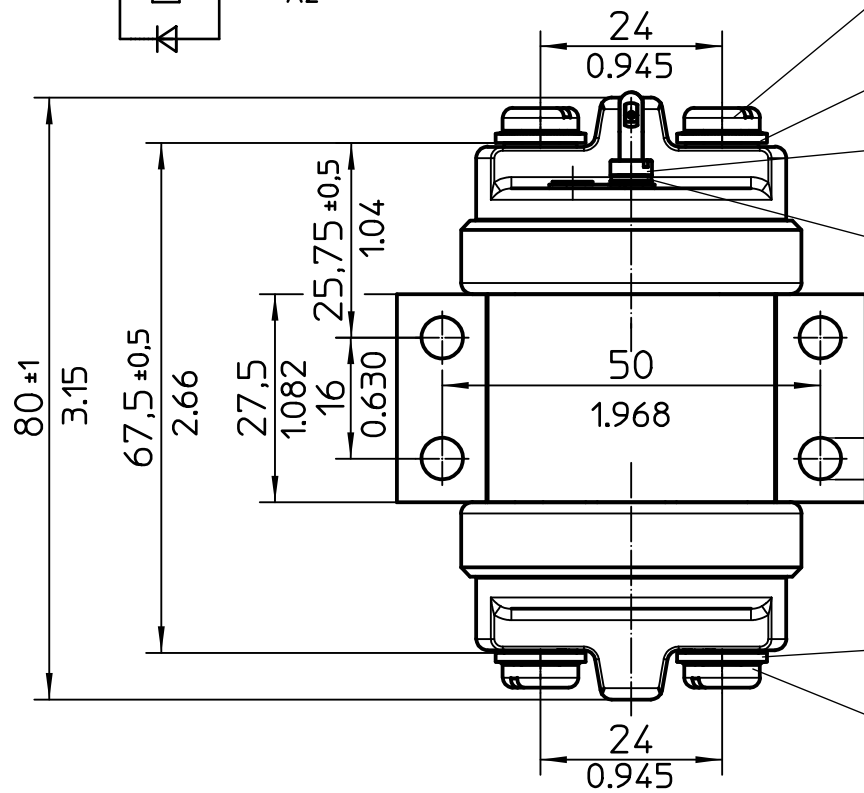
VG95387-7 Styles A

Coil Terminals

DIN 85 M3x6
max. Torque 0,5-0,6Nm

Lock Washer

VG95387-7 Styles B

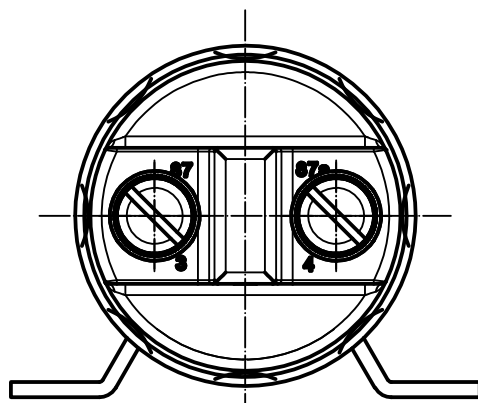


Lock Washer

VG95387-7 Styles A

Main Terminals (NC)

ISO 1580-M5x8
max. Torque 3,2-3,5Nm



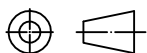
DIMENSIONAL TOLERANCES

3 PLACE DECIMAL ±0.010

2 PLACE DECIMAL ±0.03

ANGULAR ±0°30'

Third Angle Projection



Drawn	Date	Name	mm inch	Scale		Drawing No:
01.12.2011	Seege	1:1	General Tolerances	26-72-01		
Check	Date	Name	DIN ISO 2768 mK	NSN:	5945-12-339-7841	
24.06.2014	Walz					

TECHNICAL DATA

MEETS THE REQUIREMENTS OF MIL-R-6106

ENVIRONMENTAL CHARACTERISTICS

TEMPERATUR RANGE.....-55°C TO +85°C (-67°F TO +185°F)
 MAX. ALTITUDE RATING.....50 000FT
 SEAL.....IEC PUBLICATION 529;IP 67;6 FT
 SHOCK G-LEVEL (ENERGIZED).....10 G/ 6 MSEC
 VIBRATION (ENERGIZED).....5 G/ 10-500 Hz
 ACCELERATION.....15 G

ELECTRICAL CHARACTERISTICS

MIN.INSULATION RESISTANCE;INITIAL.....100 MEGOHMS
 AFTER LIFE OR ENVIRONMENTAL.....50 MEGOHMS
 DIELECTRIC WITHSTANDING VOLTAGE SEA-LEVEL 1MINUTE.....1 050 VOLTS
 ALTITUDE 1MINUTE.....500 VOLTS
 MAX.CONTACT DROP INITIAL.....0,15 VOLTS
 AFTER LIFE TEST.....0,175 VOLTS
 DUTY RATING......50 AMP CONTINUOUS
 OVERLOAD.....200 AMP FOR 1 SEC, 100 AMP FOR 20 SEC

ENDURANCE

NOMINAL LOAD RESISTIVE.....50 000 CYCLES
 MECHANICAL.....500 000 CYCLES

OPERATING CHARACTERISTICS

COIL DATA

VOLTAGE RANGE.....18-32 VDC
 NOMINAL VOLTAGE.....28 VDC
 PICK UP VOLTAGE MAX.18 VDC FULL TEMP.RANGE
 COIL RESISTANCE.....88 OHMS ±10%
 COIL CURRENT MAX.....0,4 AMP
 DROP OUT VOLTAGE.....≤6 VDC FULL TEMP.RANGE

TIME MILLISECONDS-MAX. MAKE CONTACT

OPERATE (MAKE TIME).....30
 RELEASE.....80
 BOUNCE.....8


TIME MILLISECONDS-MAX. BREAK CONTACT

OPERATE (BREAK TIME).....25
 RELEASE.....80
 BOUNCE.....8

WEIGHT.....0,4kg= 0,88 POUND MAX.

WIRE SECTION (AT NOMINAL LOAD).....MIN. 6mm / AWG 9

SUBJECT TO CHANGE

	Date	Name	mm	Scale		Drawing No:	26-72-01
Drawn	01.12.2011	Seege	General Tolerances			NSN:	
Check	01.02.2012	Grind					