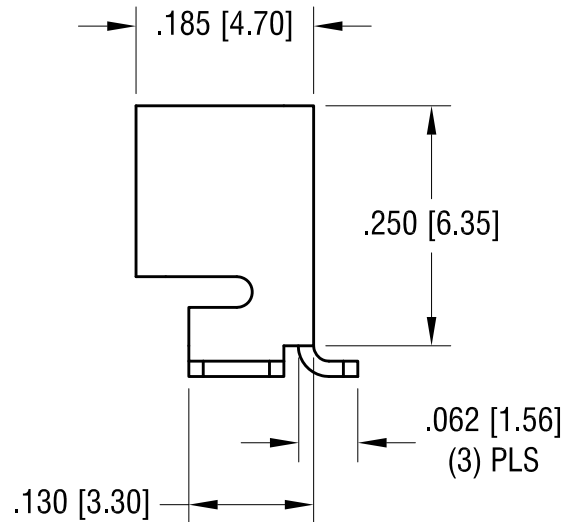
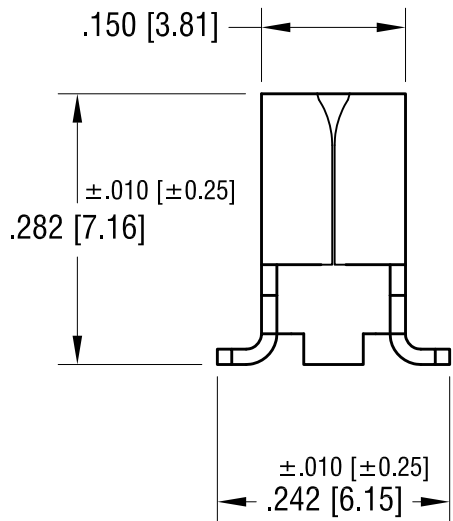
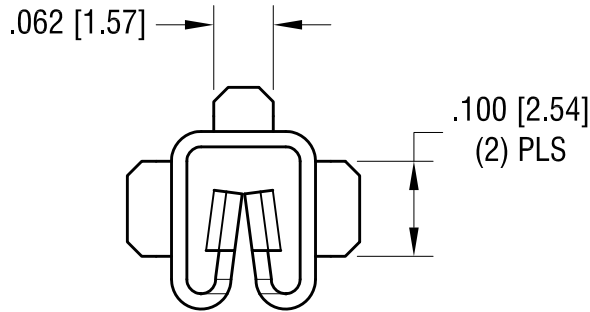
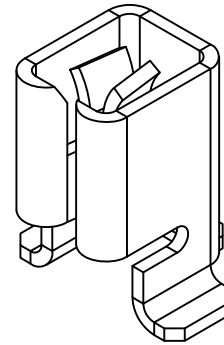
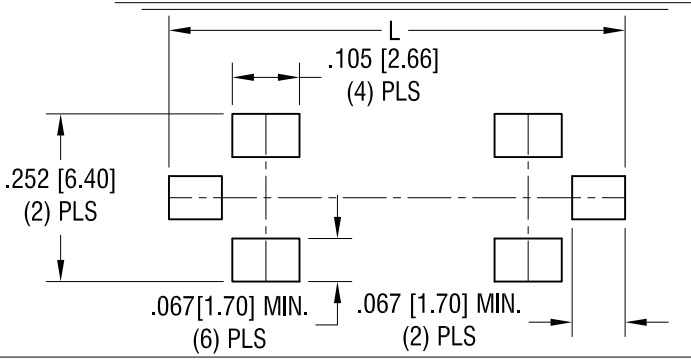


THIS DOCUMENT IS THE PROPERTY OF KEYSTONE ELECTRONICS CORP. AND SHALL NOT BE REPRODUCED, DISTRIBUTED OR USED AS A BASIS FOR MANUFACTURE WITHOUT PRIOR WRITTEN PERMISSION FROM KEYSTONE ELECTRONICS CORP.

MOUNTING LAYOUT FOR TWO CLIPS  
 L = .562 [14.27] FOR MINI FUSES  
 L = .750 [19.04] FOR STANDARD AND LOW PROFILE FUSES



1.18.10	CHANGE AS PER ECN 10-004	B
10.06.09	CHANGE AS PER ECN 09-142	A
DATE	DESCRIPTION	REV.

<b>KEYSTONE ELECTRONICS CORP.</b>			
www.keyelco.com • ASTORIA, N.Y. 11105-2017 • Tel (718) 956-8900			
PART NAME		SM UNIVERSAL AUTO FUSE CLIP	
MATERIAL		.016 [0.40] TH'K BRASS	
FINISH		DRN BY	DATE
TIN NICKEL PLATE		NT	5.06.09
		APP'D	SCALE
			5X
TOLERANCES	INCH [MM]	CODE	DWG NO.
DECIMAL	± .005 [± 0.13]	C	<b>3586</b>
ANGULAR	± 1°		
UNLESS OTHERWISE SPECIFIED			