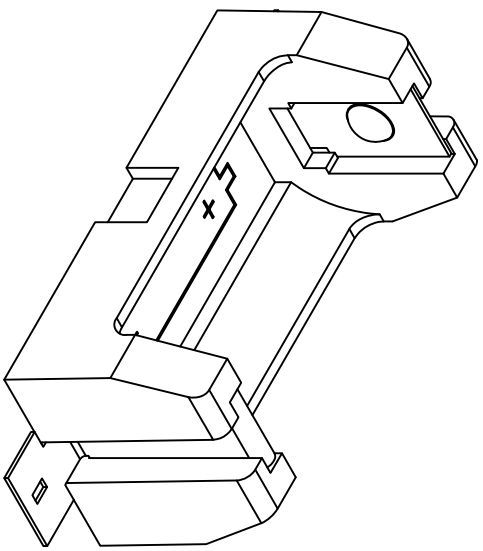
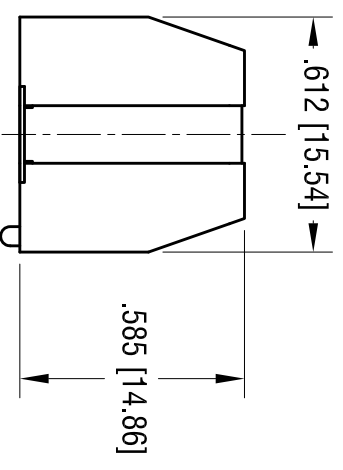
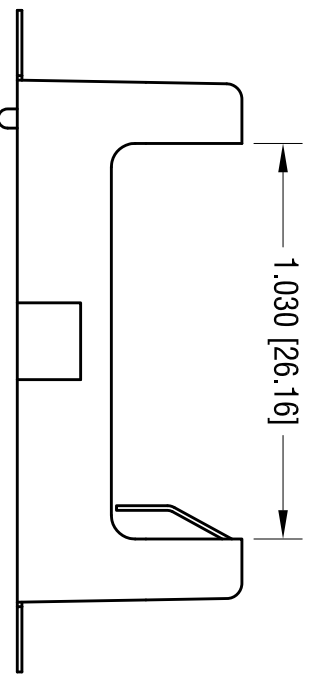
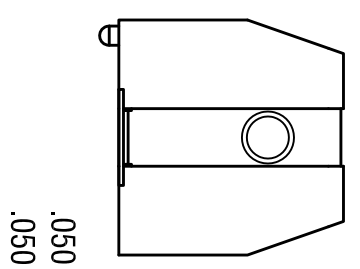
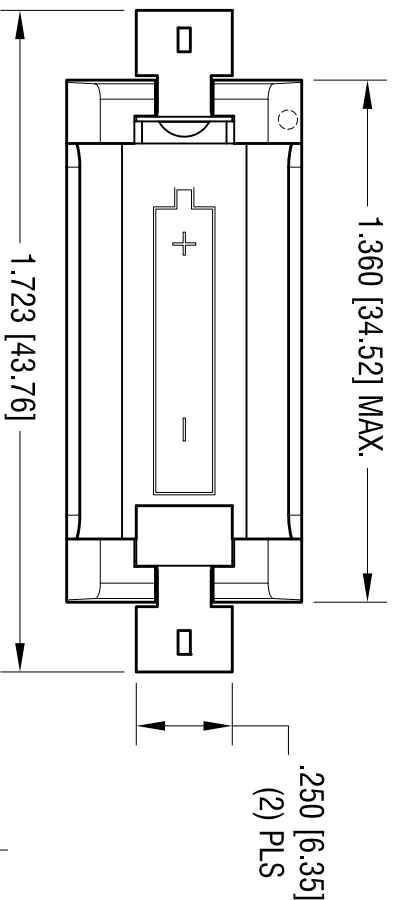
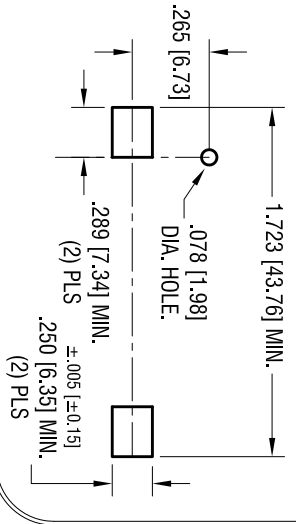


MOUNTING PAD LAYOUT



NOTE:

1. BASE:

MAT'L: HEAT RESISTANCE NYLON (UL94V-0)
STANLYL 46 OR EQUIVALENT

2. CONTACT:

MAT'L: .012 [0.30] THK PHOSPHOR BRONZE
FINISH: GOLD FLASH, OVER NICKEL PLATE.

DATE

DESCRIPTION

REV.

KEYSTONE ELECTRONICS CORP.

www.keystec.com • ASTORIA, N.Y. 11105-2017 • Tel (718) 956-8900

PART NAME

SM BATTERY HOLDER, CR2

MATERIAL

AS NOTED

FINISH

AS NOTED

TOLERANCES	INCH	[MM]	CODE	DWG NO.
DECIMAL	± .010	[± 0.25]	C	1010
ANGULAR	± 1°			

THIS DOCUMENT IS THE PROPERTY OF KEYSTONE ELECTRONICS CORP. AND SHALL NOT BE REPRODUCED, DISTRIBUTED OR USED AS A BASIS FOR MANUFACTURE WITHOUT PRIOR WRITTEN PERMISSION FROM KEYSTONE ELECTRONICS CORP.

DRN BY: NT DATE: 1.19.12

App'D: LN SCALE: 2X