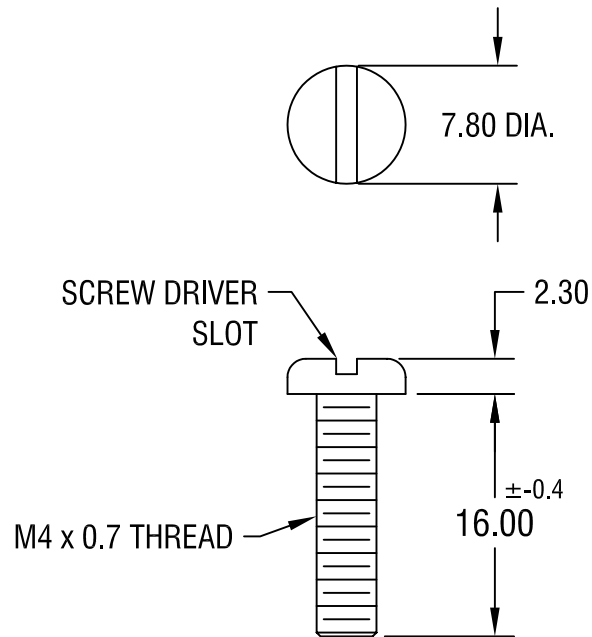


THIS DOCUMENT IS THE PROPERTY OF
KEYSTONE ELECTRONICS CORP. AND
SHALL NOT BE REPRODUCED, DISTRIBUTED
OR USED AS A BASIS FOR MANUFACTURE
WITHOUT PRIOR WRITTEN PERMISSION
FROM KEYSTONE ELECTRONICS CORP.



NOTE:

1. ALL DIMENSIONS ARE IN MILLIMETERS

KEYSTONE ELECTRONICS CORP.			
ASTORIA, N.Y. 11105-2017			
PART NAME		M4 PAN HEAD SCREW	
MATERIAL		NYLON 6/6 UL 94V-2	
FINISH	DRN BY	DATE	
-	BOONE	10.12.06	
	APP'D	SCALE	
		2X	
TOLERANCES	INCH	[MM]	CODE
DECIMAL	±	[± 0.25]	C/M
ANGULAR	± 1°		
UNLESS OTHERWISE SPECIFIED			DWG NO.
			29356

DATE	DESCRIPTION	REV.