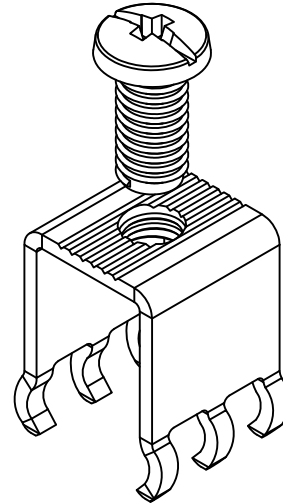
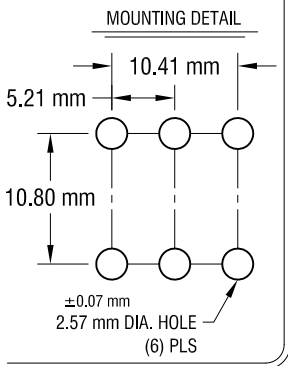
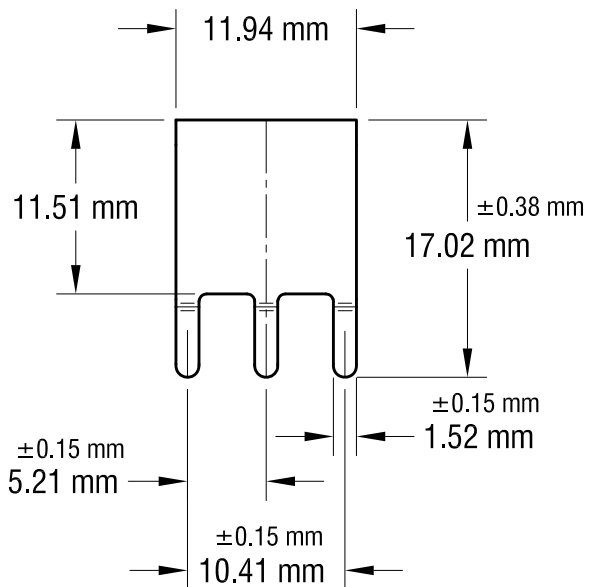
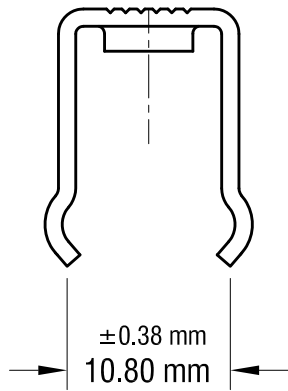
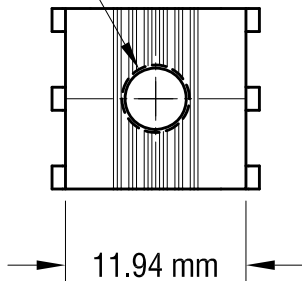


THIS DOCUMENT IS THE PROPERTY OF KEYSTONE ELECTRONICS CORP. AND SHALL NOT BE REPRODUCED, DISTRIBUTED OR USED AS A BASIS FOR MANUFACTURE WITHOUT PRIOR WRITTEN PERMISSION FROM KEYSTONE ELECTRONICS CORP.



M5 x 0.8
THREAD



NOTE:

1. TERMINAL:

MAT'L - 1.14 mm TH'K BRASS, MATTE TIN PLATE

SCREW : ONE (1) M5 x 0.8 x 10.0mm L.
(SUPPLIED LOOSE)

MAT'L - BRASS, NICKEL PLATE

2. ALL DIMENSIONS ARE IN MILLIMETERS.

9.29.09	CHANGE AS PER ECN 09-137	A
DATE	DESCRIPTION	REV.

KEYSTONE ELECTRONICS CORP.			
www.keyelco.com • ASTORIA, N.Y. 11105-2017 • Tel (718) 956-8900			
PART NAME		PC METRIC SCREW TERMINAL	
MATERIAL		AS NOTED	
FINISH		DRN BY	DATE
AS NOTED		NT	7.03.08
		APP'D	SCALE
		LN	2X
TOLERANCES	INCH [MM]	CODE	DWG NO.
DECIMAL	± [± 0.25]	C	7808
ANGULAR	± 1°		
UNLESS OTHERWISE SPECIFIED			