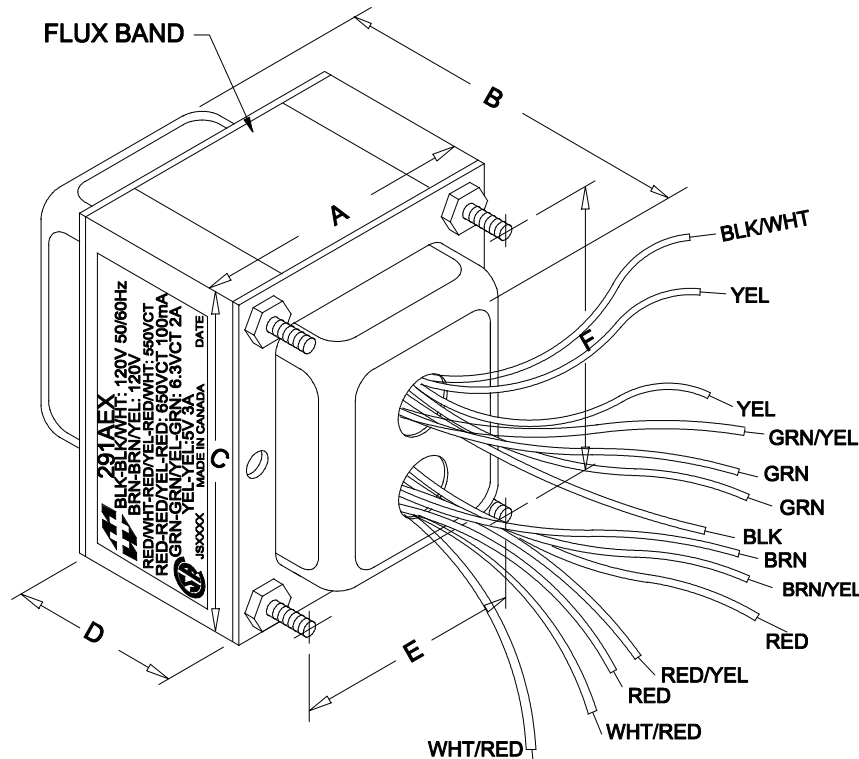
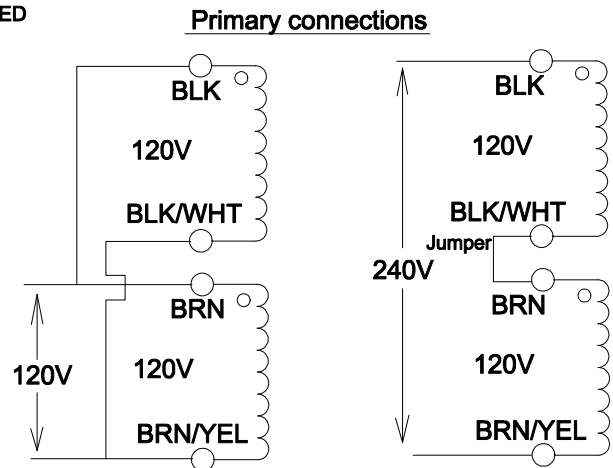
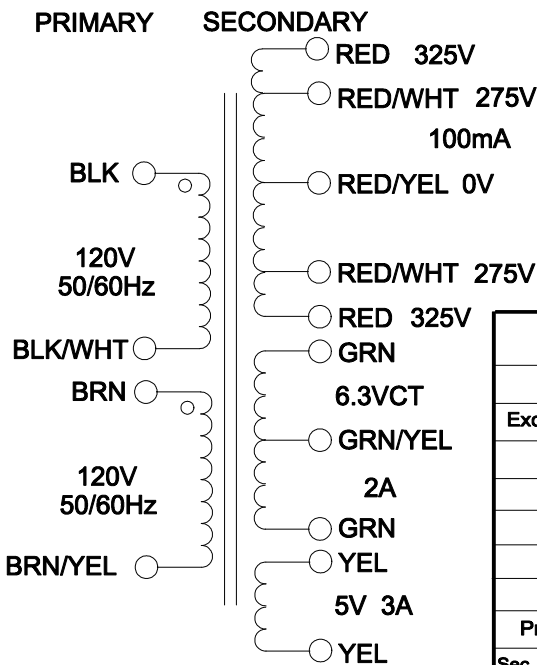


291AEX



| DIMENSIONS: | |
|-------------|---------------|
| A | 2.500" ±0.063 |
| B | 3.625" ±0.063 |
| C | 3.000" ±0.063 |
| D | 1.25" ±0.063 |
| E | 2.000" ±0.063 |
| F | 2.500" ±0.063 |

NOTE: ALL LEADS 9" OUT MIN., STRIPPED .5"



| ELECTRICAL DATA: | |
|--------------------|---|
| Turns ratio: | 1 : 5.77 (RED - RED) |
| Exciting Current | @ 120V, 50Hz, BLK - BLK/WHT = 420mA Max. |
| DCR | @ 20C, BLK - BLK/WHT = 6.44 Ω ±20% |
| | @ 20C, BRN - BRN/YEL = 6.85 Ω ±20% |
| | @ 20C, RED - RED = 218 Ω ±20% |
| | @ 20C, GRN - GRN = 0.107 Ω ±20% |
| | @ 20C, YEL - YEL = 0.058 Ω ±20% |
| Pri. Voltage | 120/240V 50/60Hz |
| Sec. Voltage (RMS) | 650 / 550VCT @ 100mA, 6.3V @ 2A / 5V @ 3A |
| No Load Voltage | 693 / 587VCT / 6.71VCT / 5.45V |

**HAMMOND
ELECTRONICS**
52 RANKIN PLACE,
WATERLOO, ONTARIO, N2L 3Z5.
PHONE (519) 886-6181
FAX # (519) 886-9540

| TITLE | | POWER TRANSFORMER | |
|-------|----------|-----------------------------------|----------------|
| 4 | 10/05/16 | Corrected lead color. DH | DR BY |
| 3 | 09/25/15 | was single primary added sec taps | B.Pervaiz |
| 2 | 04/25/14 | Added 6.3V center tap DH | DATE |
| 1 | 09/28/12 | Correct Dim Table DH | 08/25/09 |
| NO | DATE | REVISION | DIM IN(X)MM() |

291AEX