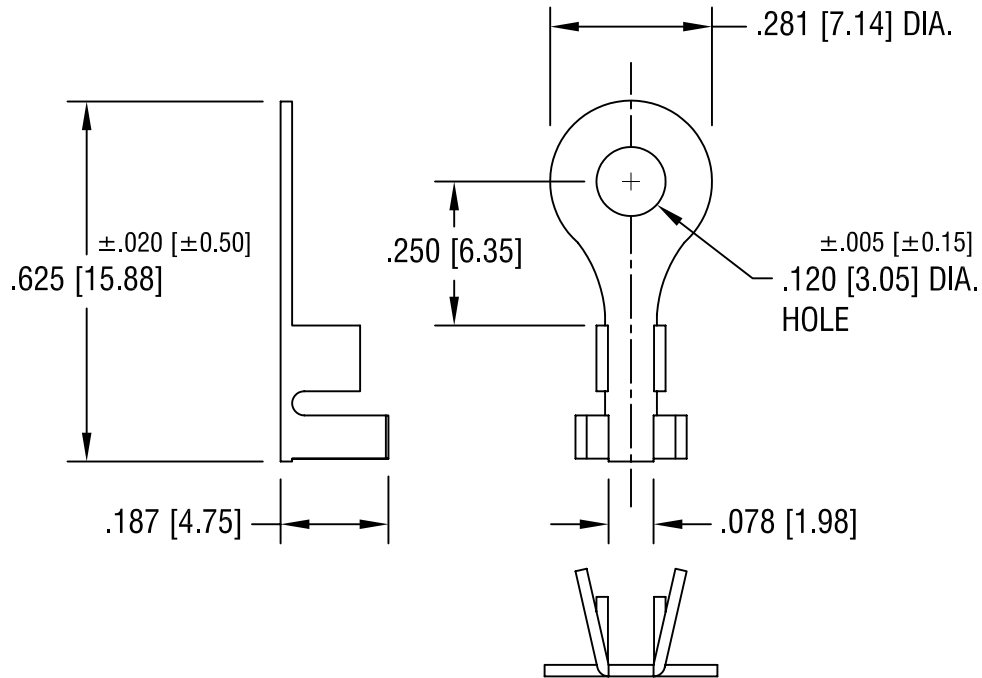


THIS DOCUMENT IS THE PROPERTY OF
KEYSTONE ELECTRONICS CORP. AND
SHALL NOT BE REPRODUCED, DISTRIBUTED
OR USED AS A BASIS FOR MANUFACTURE
WITHOUT PRIOR WRITTEN PERMISSION
FROM KEYSTONE ELECTRONICS CORP.



KEYSTONE ELECTRONICS CORP.

ASTORIA, N.Y. 11105-2017

PART NAME

CRIMP TERMINAL LUG

MATERIAL

.020 [0.50] TH'K BRASS

FINISH

TIN PLATE

DRN BY

BOONE

DATE

1.10.05

APP'D

SCALE

3X

8.10.07

CHANGE AS PER ECN 07-046

B

TOLERANCES

INCH [MM]

DECIMAL $\pm .010$ [± 0.25]

ANGULAR $\pm 1^\circ$

UNLESS OTHERWISE SPECIFIED

CODE

C/M

DWG NO.

1274

DATE

DESCRIPTION

REV.