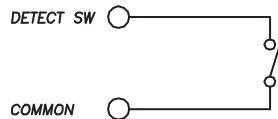
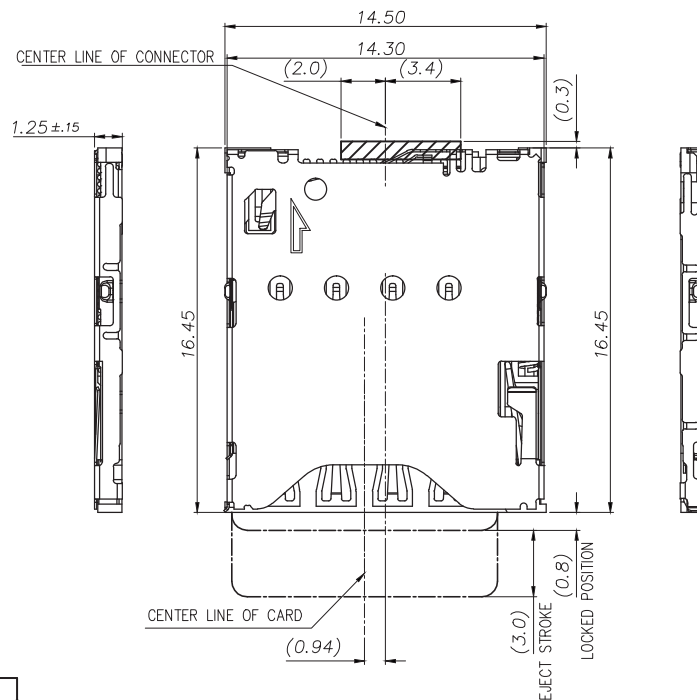
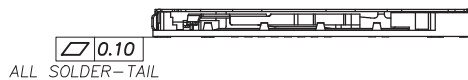
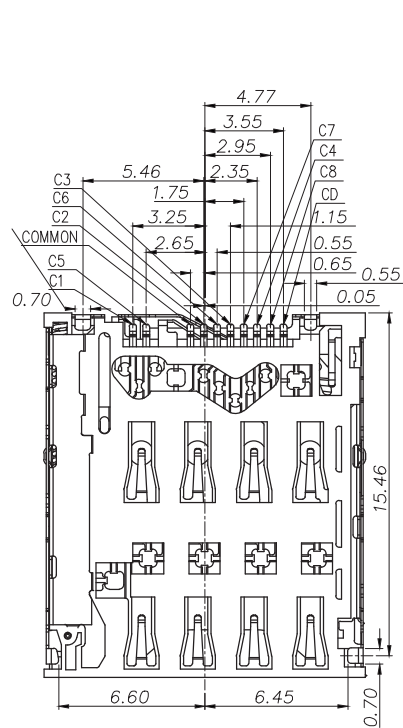


1 2 3 4 5



CIRCUIT DIAGRAM FOR DETECT SWITCH
INSERT CARD=ON

TECHNICAL CHARACTERISTICS

MATERIAL
 INSULATOR: LCP
 FLAMMABILITY RATING: UL94-V0
 COLOR: BLACK
 CONTACT MATERIAL: COPPER ALLOY
 CONTACT TYPE: STAMPED
 CONTACT PLATING: SELECTIVE GOLD
 SHIELDING: STAINLESS STEEL NI PLATED
 QUALITY CLASS: 1500 MATING CYLCES

ENVIRONMENTAL
 OPERATING TEMPERATURE: -25°C UP TO +85°C
 COMPLIANCE: LEAD FREE AND ROHS

ELECTRICAL
 CURRENT RATING: 1.0 A
 WORKING VOLTAGE: 15 VDC
 INSULATION RESISTANCE: >500 MΩ
 WITHSTANDING VOLTAGE: 500 VAC/MIN
 CONTACT RESISTANCE: 100 mΩ MAX

SOLDERING
 JEDEC LEAD FREE REFLOW SOLDERING

PACKAGING
 TAPE & REEL

RoHS Compliant

G			
F			
E			
D			
C	16-DEC-14	DIMENSION	AS
B	02-DEC-14	DIAGRAM	AS
A	27-MAY-14	PDF	AS
REV	DATE	FILE	BY

PROJECTION:	
APPROVAL: NPr	

GENERAL TOLERANCE
.X = +/- 0.3
.XX = +/- 0.20
UNIT: MM
SCALE:
SHEET: 1/4
DRAW: AS

WÜRTH ELEKTRONIK

DESCRIPTION: WR-CRD - MICRO SIM - PUSH & PUSH TYPE - 8 PINS	SIZE A4
WERI PART NO: 693 021 010 811	

A
B
C
D

1 2 3 4 5

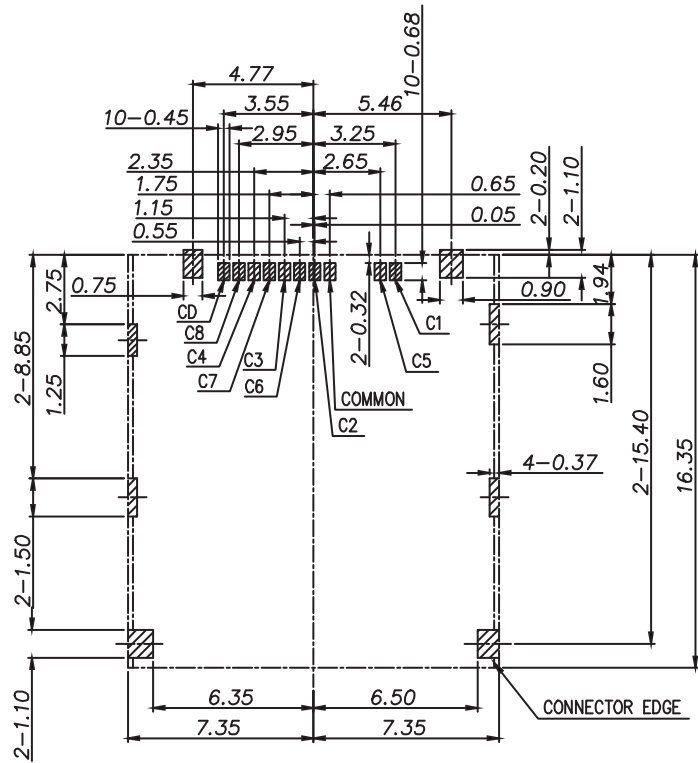
A

B

C

D

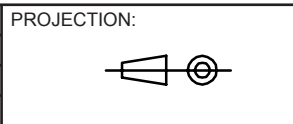
PIN NO.	PIN ASSIGNMENT
C1	SUPPLY VOLTAGE(VCC)
C2	RESET(RST)
C3	CLOCK(CLK)
C4	RESERVED FOR FUTURE USE(RFU)
C5	GROUND(GND)
C6	PROGRAMMING VOLTAGE(VPP)
C7	I/O
C8	RESERVED FOR FUTURE USE(RFU)



PCB LAYOUT - COMPONENT VIEW
TOLERANCES ± 0.05 MM

RoHS Compliant

G			
F			
E			
D			
C	16-DEC-14	DIMENSION	AS
B	02-DEC-14	DIAGRAM	AS
A	27-MAY-14	PDF	AS
REV	DATE	FILE	BY



APPROVAL: NPr

GENERAL TOLERANCE
.X = +/_ 0.3
.XX = +/_ 0.20

UNIT: MM
SCALE:
SHEET: 2/4
DRAW: AS



DESCRIPTION: WR-CRD - MICRO SIM - PUSH & PUSH TYPE - 8 PINS
WERI PART NO: 693 021 010 811

SIZE
A4

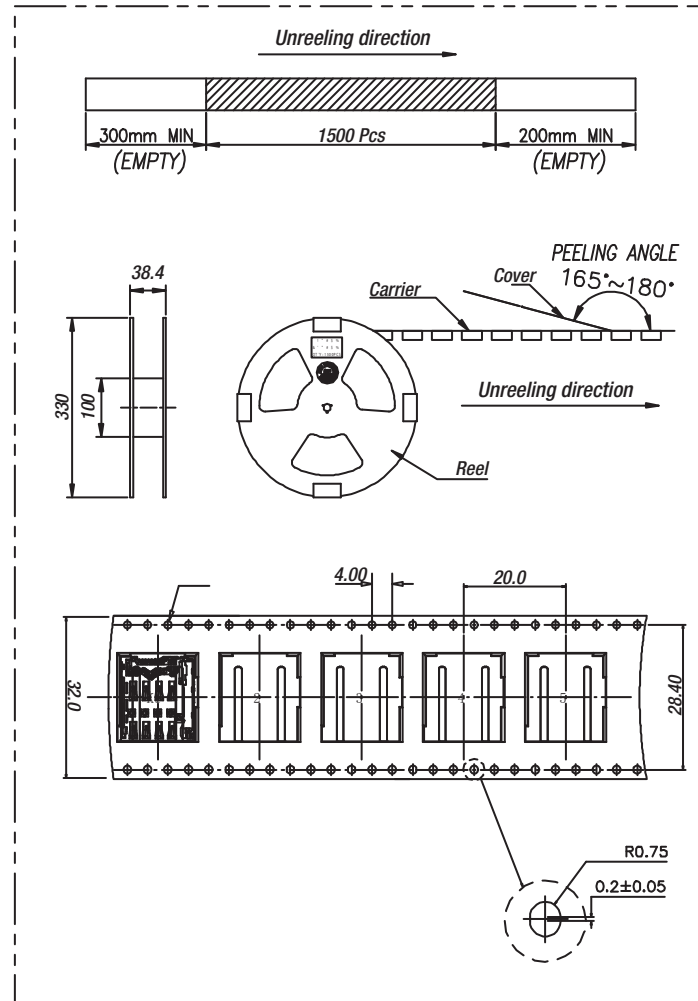
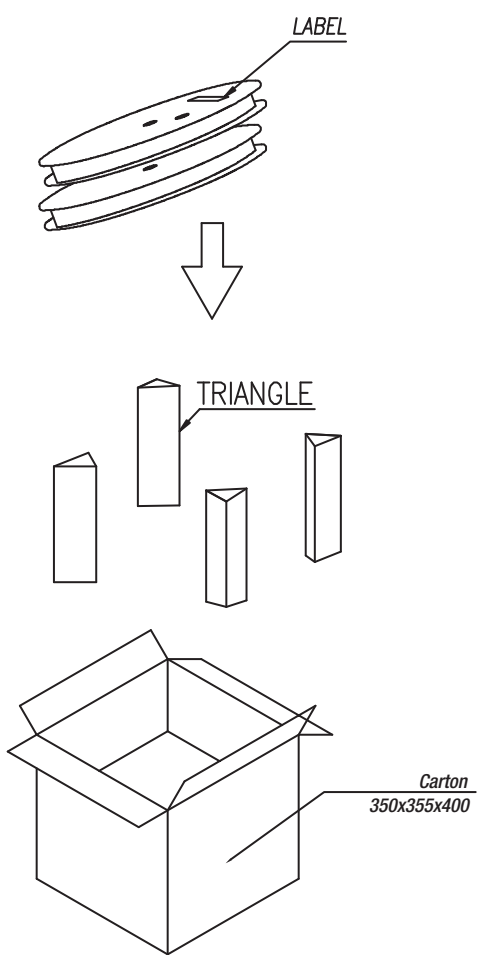
1

2

3

4

5



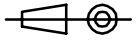

1500 pcs/reel
 10 reels/carton
 15000pcs/carton

A

B

C

D

RoHS Compliant				PROJECTION: 	GENERAL TOLERANCE .X = +/- 0.2 .XX = +/- 0.15		DESCRIPTION: WR-CRD - MICRO SIM - PUSH & PUSH TYPE - 8 PINS WERI PART NO: 693 021 010 811	SIZE A4
G								
F								
E								
D								
C				APPROVAL: NPr	UNIT: MM			
B					SCALE:			
A	23-JUL-14	PDF	AS		SHEET: 3/4			
REV	DATE	FILE	BY		DRAW: AS			

1

2

3

4

5

Cautions and Warnings:

This electronic component is designed and developed with the intention for use in general electronics equipments.

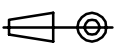

Before incorporating the components into any equipments in the field such as aerospace, aviation, nuclear control, submarine, transportation, (automotive control, train control, ship control), transportation signal, disaster prevention, medical, public information network etc. where higher safety and reliability are especially required or if there is possibility of direct damage or injury to human body, Würth Elektronik must be asked for a written approval.

In addition, even electronic component in general electronic equipments, when used in electrical circuits that require high safety, reliability functions or performance, the sufficient reliability evaluation-check for the safety must be performed before by the user before usage.

A

B

C

RoHS Compliant				PROJECTION: 	GENERAL TOLERANCE .X = +/- 0.2 .XX = +/- 0.15	 WÜRTH ELEKTRONIK	DESCRIPTION: DISCLAIMER	SIZE A4
G								
F								
E								
D								
C				APPROVAL: JC	UNIT: MM	WERI PART NO: DISCLAIMER	SIZE A4	
B					SCALE:			
A	10-SEP-14	PDF	QL		SHEET: 4/4			
REV	DATE	FILE	BY		DRAW: QL			

D